

EZ9



DIGITAL WHEEL BALANCER FOR CARS AND LIGHT TRUCKS



EZ9 WHEEL BALANCER
for medium to large size car automotive
garages, car dealers ships and tire shops.

CEMB[®] USA

EZ9

- MULTIFUNCTIONAL DIGITAL PANEL with Direct Weight Placement program and Behind Spoke (Split) mode



CEMB® PATENT

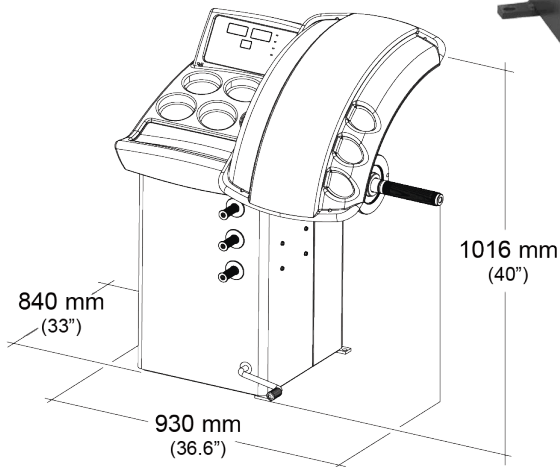
- VDD Virtual Direct Drive Quick measurement system
- AUTOMATIC ARM 2D to measure automatically distance and diameter
- Made in ITALY



- 165 lbs weight limit

- Splash guard

- BRAKE PEDAL holds the wheel in position



Power requirements

Balancing speed

Measuring cycle for 15 kg (33 lbs) wheel

Unbalance resolution

Rim width setting range

Rim diameter setting range

Max. tire diameter

Max. wheel weight

Shaft diameter

Machine weight

110 VAC, 50/60 Hz

100 rpm

4.7 s

< 0.01 oz (<1 g)

1.5" - 20" (40 - 510 mm)

10" - 30" (265 - 765 mm)

36" (915 mm)

165 lbs (75 Kg)

40 mm

260 lbs (118 Kg)

STANDARD ACCESSORIES

UC20/2 GLM40 41FF83150



MANUAL LOCKING



OPTIONAL ACCESSORIES

RL CUP - 41FF79255

SR-USA STUD ADAPT. - 41FF56189

SRU345 STUD ADAPT. - 41FFA6478

2-PIECE TRUCK CONE KIT - 41FF86174

UNIV. MOTORCYCLE ADAPT. - 41FF87401

WBL81 WHEEL LIFT - 46FL85170-KIT

CEMB® USA

CEMB® USA - BL Systems Inc.

2873 Ramsey Road, Gainesville GA 30501 - USA

Phone +1 (678) 717-1050 - sales@cemb-usa.com

www.cemb-usa.com

DISTRIBUTED BY

