

EZ29



PORTABLE WHEEL BALANCER FOR CARS AND LIGHT TRUCKS

EZ29 WHEEL BALANCER

operates on standard 110V AC voltage as well as 12V DC. Equipped with casters and a standard lightweight battery pack, it can be used for mobile service or brought to the vehicle.



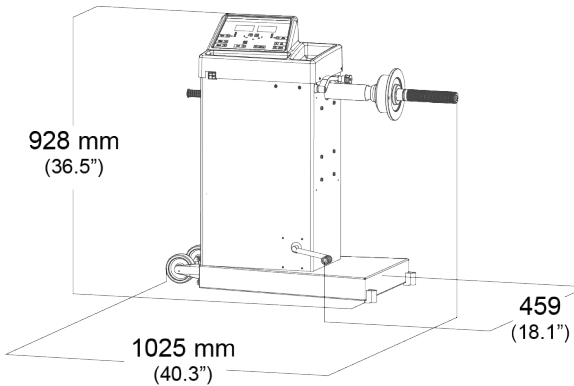
CEMB[®] USA

EZ29

- **MULTIFUNCTIONAL DIGITAL PANEL**
with Direct Weight Placement program and Behind Spoke (Split) mode
- **DUAL VOLTAGE**
Power supply 12VDC - 110VAC
- **BATTERY PACK**
lightweight for use when power not available
- **AUTOMATIC ARM 2D**
to measure automatically distance and diameter
- **WHEELS**
for easy portability



- Made in ITALY
- **BRAKE PEDAL**
holds the wheel in position



Power requirements	12 VDC - 110 VAC, 50/60 Hz
Balancing speed	100 rpm
Measuring cycle for 15 kg (33 lbs) wheel	4.7 s
Unbalance resolution	< 0.01 oz (<1 g)
Rim width setting range	1.5" - 20" (40 - 510 mm)
Rim diameter setting range	10" - 30" (265 - 765 mm)
Max. tire diameter	42" (1,067 mm)
Max. wheel weight	165 lbs (75 Kg)
Shaft diameter	40 mm
Machine weight	150 lbs (68 Kg)

STANDARD ACCESSORIES

UC20/2 GLM40 41FF83150  MANUAL LOCKING



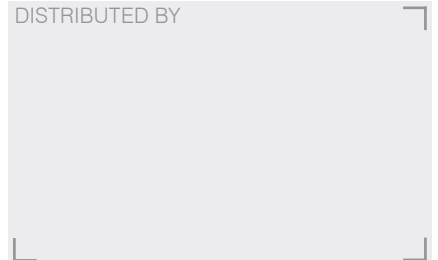
OPTIONAL ACCESSORIES

- RL CUP - 41FF79255
- SR-USA STUD ADAPT. - 41FF56189
- SRU345 STUD ADAPT. - 41FFA6478
- 2-PIECE TRUCK CONE KIT - 41FF86174
- 8.5" SUPER CONE - 40FF43748

For a complete list of accessories and more information visit our website www.cemb-usa.com

CEMB[®] USA

CEMB[®] USA - BL Systems Inc.
2873 Ramsey Road, Gainesville GA 30501 - USA
Phone +1 (678) 717-1050 - sales@cemb-usa.com
www.cemb-usa.com



Because of continuing technological advancements, specifications, models and options are subject to change without notice.